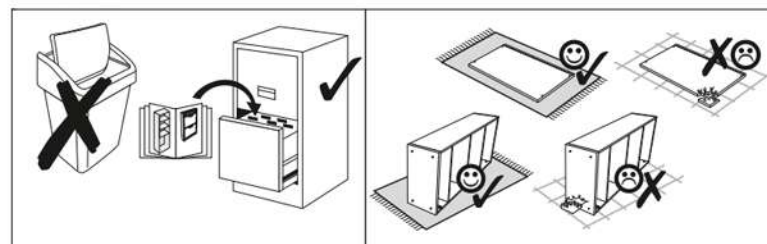
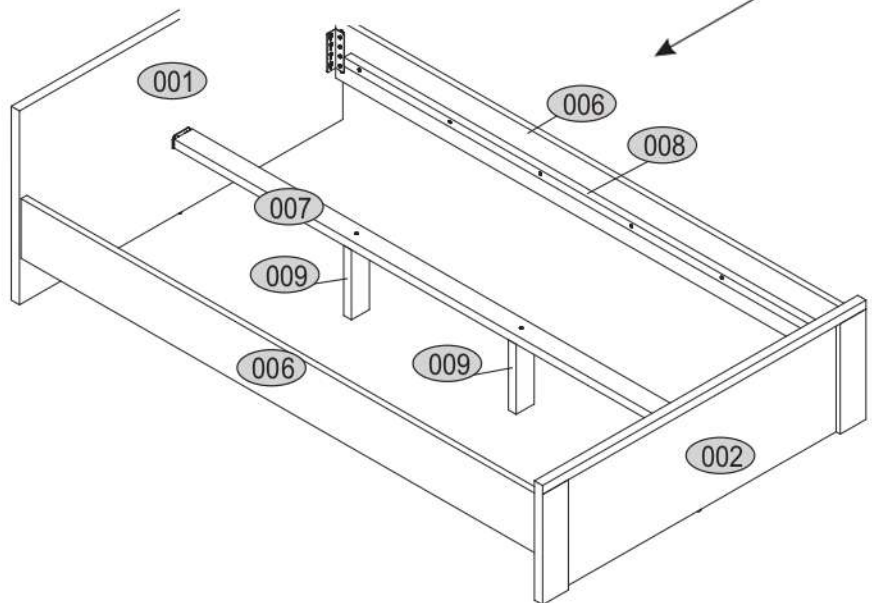
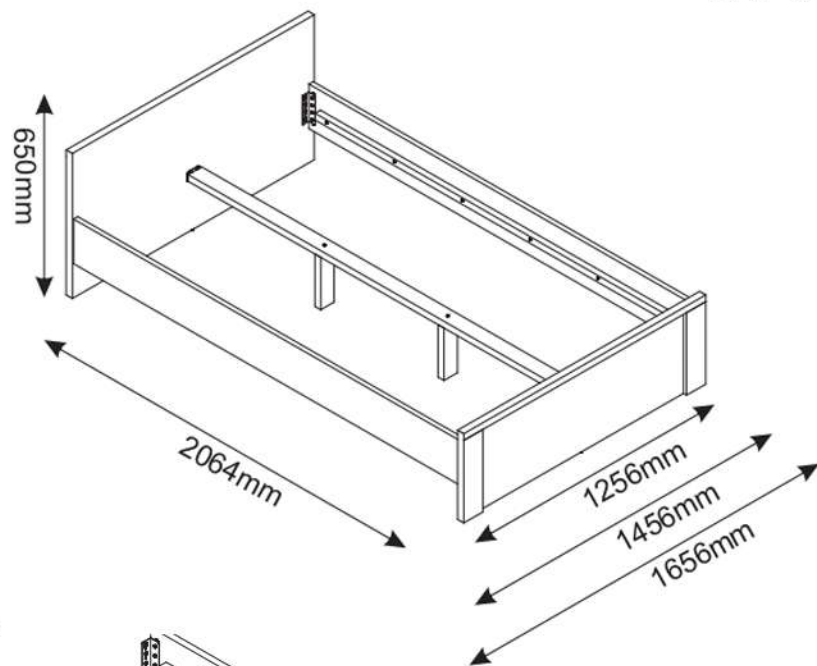
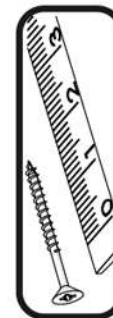


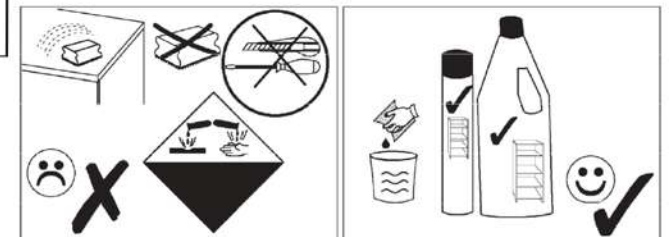
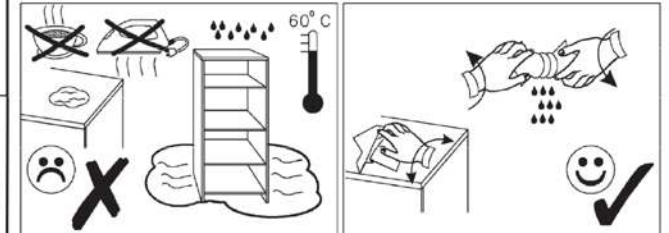
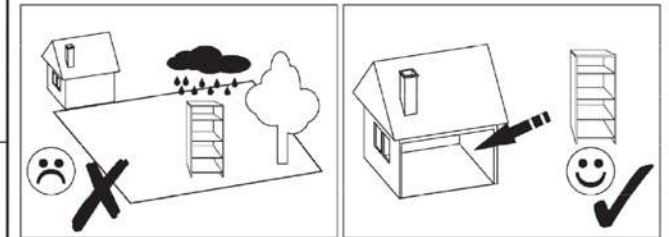
AIRON 2S 120/140/160



| KODA | DIMENZIJE | | | PAKET | |
|-----------------------------|-----------|-----|-------|-------|-----|
| POSTELJA 120/140/160 | | | | | |
| 006 | 2000 | 200 | 22 | 2 | 1/3 |
| 007 | 1984 | 70 | 30 | 1 | 1/3 |
| 008 | 1880 | 26 | 30 | 2 | 1/3 |
| 009 | 285 | 70 | 30 | 2 | 1/3 |
| DODATKI | | | | 1 | 1/3 |
| POSTELJA 120 | | | | | |
| 001 | 1254 | 850 | 16/32 | 1 | 2/3 |
| 002 | 1254 | 455 | 16/32 | 1 | 3/3 |
| POSTELJA 140 | | | | | |
| 001 | 1454 | 850 | 16/32 | 1 | 2/3 |
| 002 | 1454 | 455 | 16/32 | 1 | 3/3 |
| POSTELJA 160 | | | | | |
| 001 | 1654 | 850 | 16/32 | 1 | 2/3 |
| 002 | 1654 | 455 | 16/32 | 1 | 3/3 |

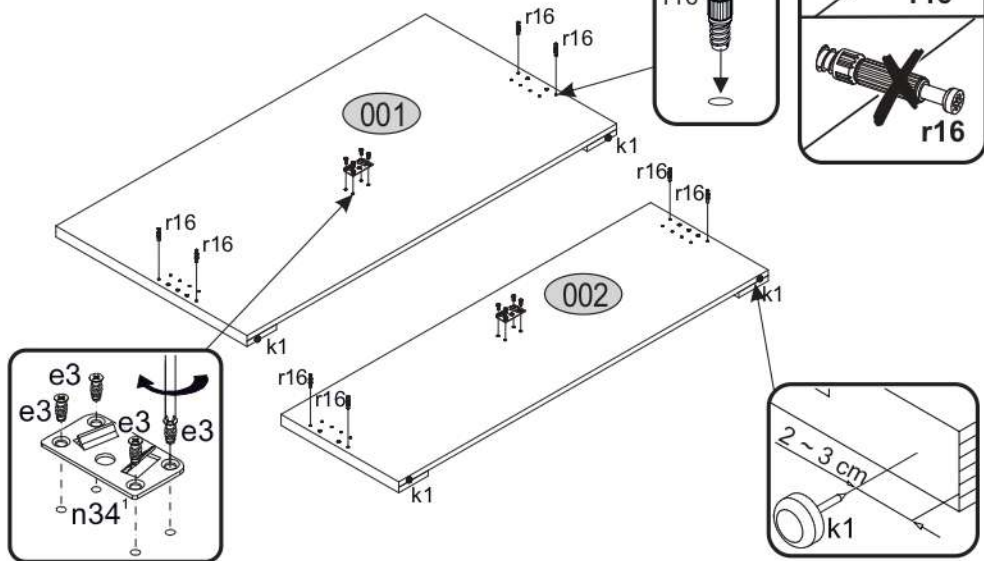


| | | | |
|---|---|--|---|
| <p>4x n63</p>  | <p>2x n34¹</p>  | <p>2x n34²</p>  | <p>6x k1</p>  |
| <p>2x e27</p>  | <p>8x r3</p>  | <p>12x p10</p> <p>Ø4x40</p>  | <p>16x p25</p> <p>Ø3.5x16</p>  |
| <p>8x e3</p> <p>Ø6.3x13</p>  | <p>8x r16</p>  | <p>12x f1</p> <p>Ø8x30</p>  | <p>32x e2</p> <p>Ø6.3x13</p>  |
| <p>6x p36</p> <p>Ø4x25</p>  | <p>4x n221</p>  | <p>1x z1</p>  | <p>12x p21</p> <p>Ø4x30</p>  |



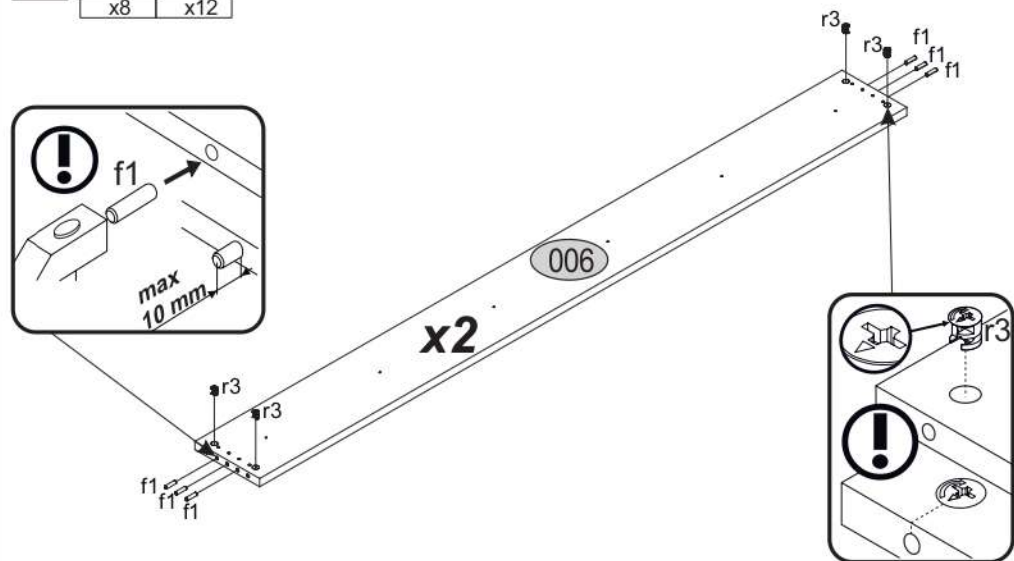
1

| | | | |
|-----|-----|----|----|
| r16 | n34 | e3 | k1 |
| x8 | x2 | x8 | x4 |



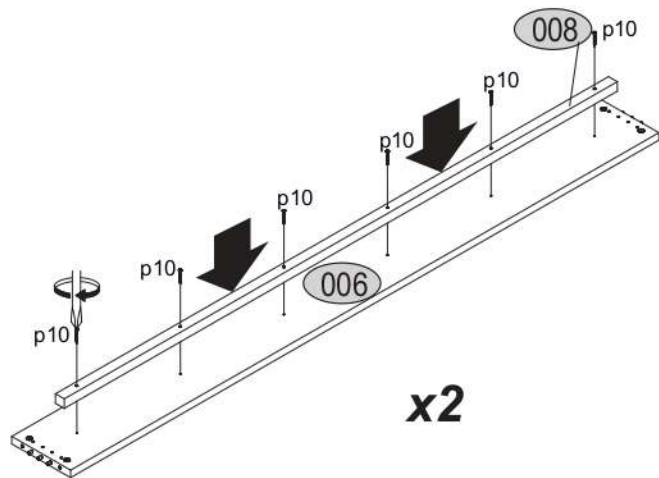
2

| | |
|----|-----|
| r3 | f1 |
| x8 | x12 |



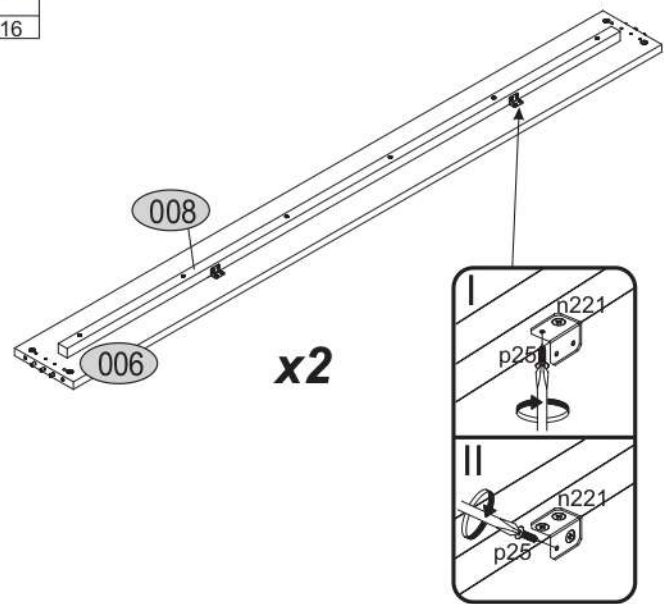
3

| |
|-----|
| p10 |
| x12 |

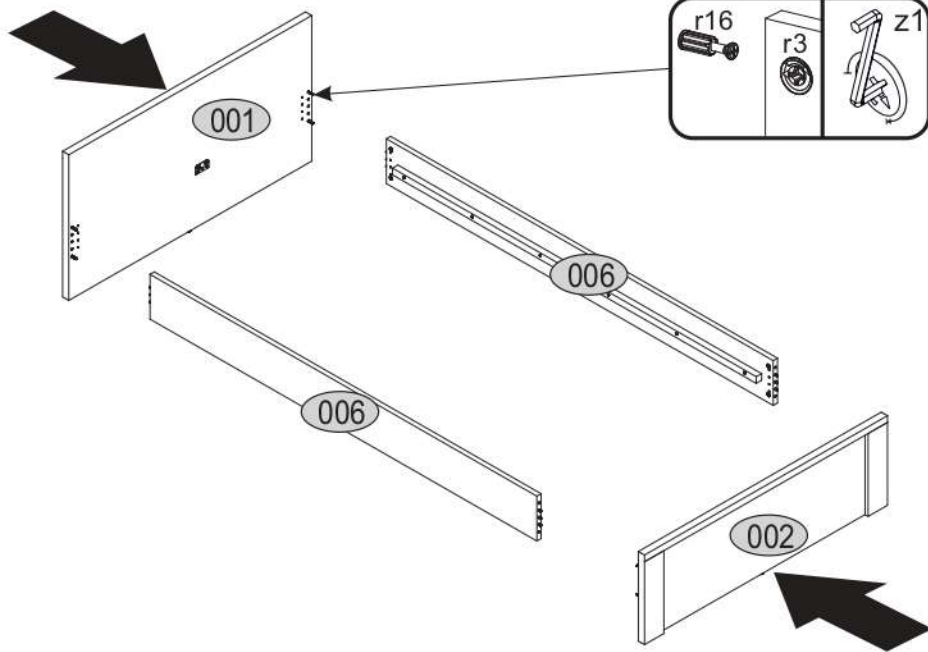


4

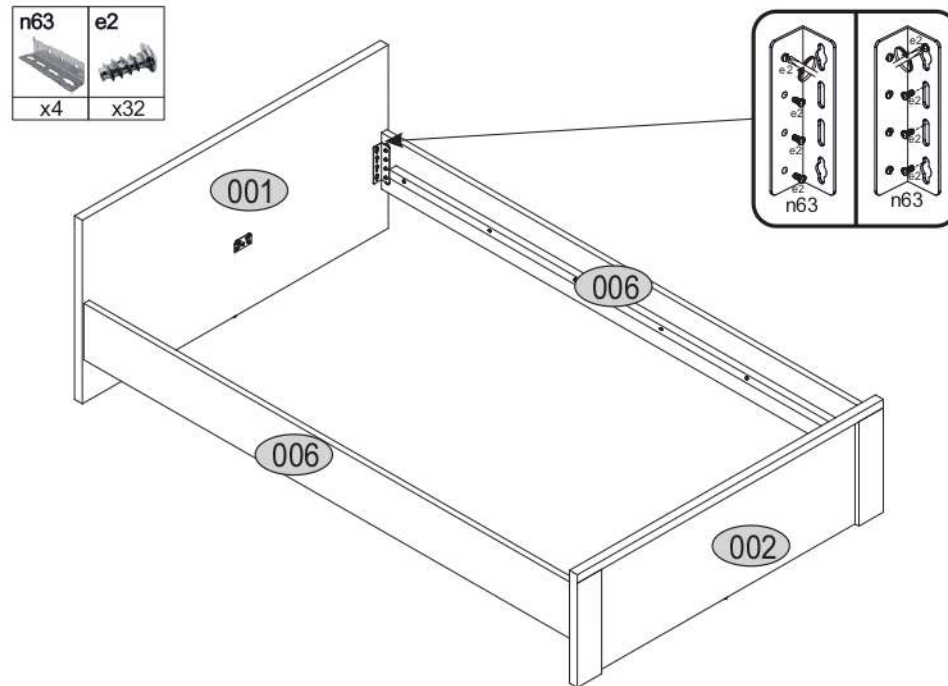
| | |
|------|-----|
| n221 | p25 |
| x4 | x16 |



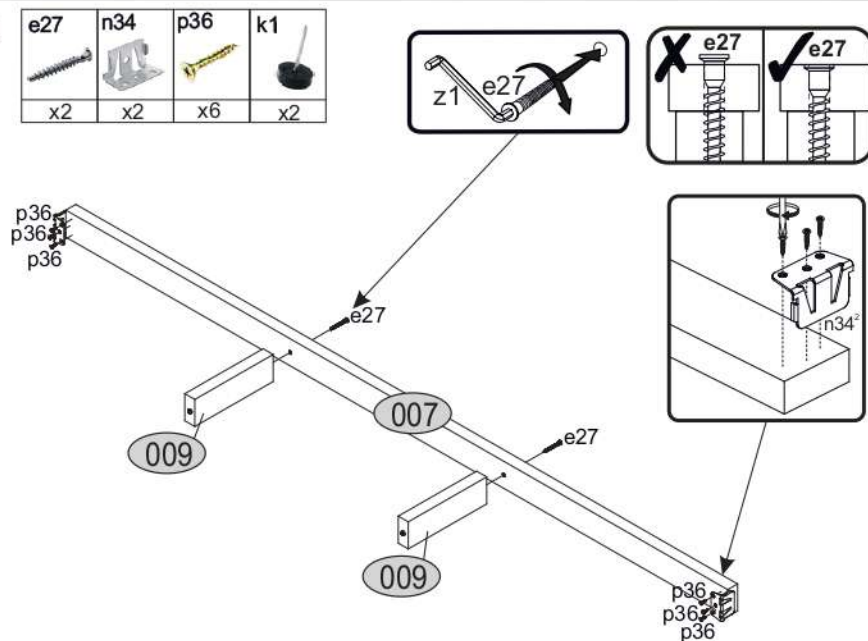
5



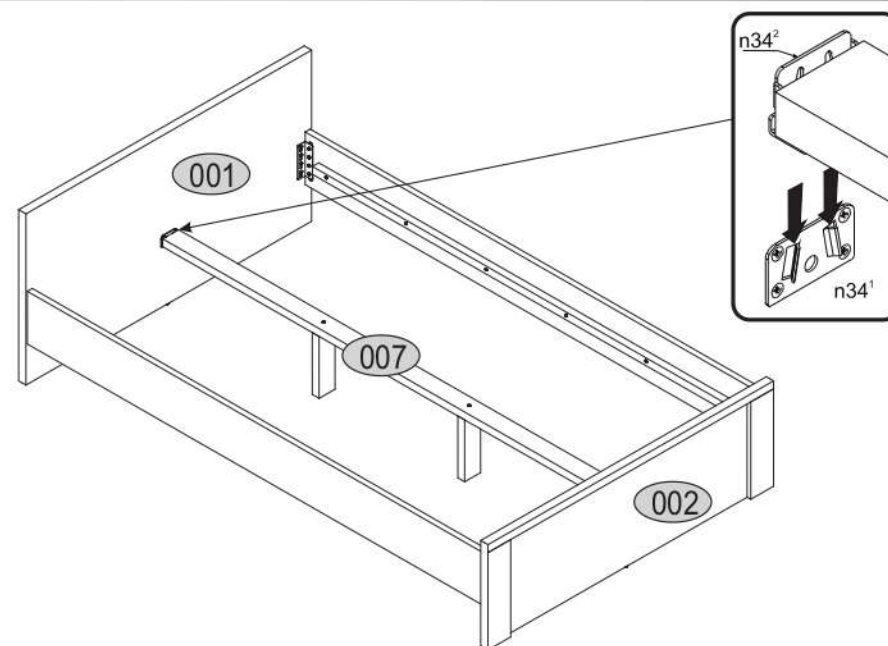
6



7



8



9

p21
x12

